

# EXPLOSIONADO RECAMBIOS CALDERAS MURALES

Modelo

## **GENUS**

R8215829-02ES - Edición 02 - 15/07/2007

| 3300233    |      | GENUS 24 FF NG PI    | ...       | ... |
|------------|------|----------------------|-----------|-----|
| 3300238    |      | GENUS 24 FF LPG PI   | ...       | ... |
| 3300234    |      | GENUS 24 CF NG PI    | ...       | ... |
| 3300239    |      | GENUS 24 CF LPG PI   | ...       | ... |
| 3300235    |      | GENUS 28 FF NG PI    | ...       | ... |
| 3300240    |      | GENUS 28 FF LPG PI   | ...       | ... |
| 3300236    |      | GENUS 28 CF NG PI    | ...       | ... |
| 3300241    |      | GENUS 28 CF LPG PI   | ...       | ... |
| 3300237    |      | GENUS 32 FF NG PI    | ...       | ... |
| 3300242    |      | GENUS 32 FF LPG PI   | ...       | ... |
| Referencia | Ind. | Aparatos concernados | Principio | Fin |

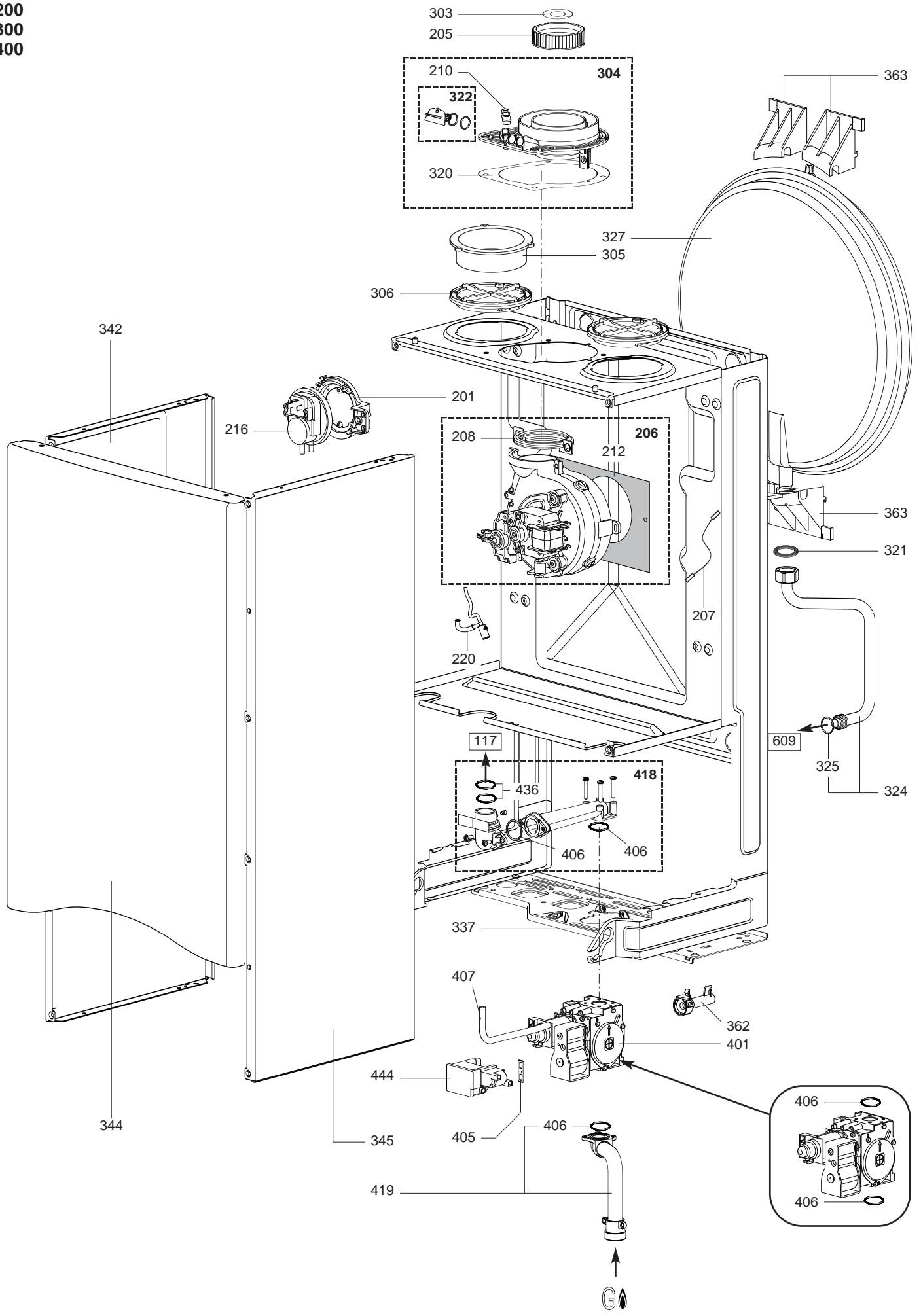


| Senal | Designación                   | Referencia | Tipo |    |    |    |    |    | Fecha |   |       |
|-------|-------------------------------|------------|------|----|----|----|----|----|-------|---|-------|
|       |                               |            |      | FF | CF | FF | CF | FF | de    | a |       |
| 0100  | <b>CAMARA ESTANCA</b>         |            |      |    |    |    |    |    |       |   |       |
| 0106  | O-RING 3,53X17,04             | 65104262   |      | •  | •  | •  | •  | •  |       |   |       |
| 0107  | QUEMADOR                      | 65104220   |      | •  | •  | •  |    |    |       |   |       |
|       | QUEMADOR                      | 65105027   |      |    |    | •  | •  |    |       |   |       |
| 0110  | ELECTRODO ENCENDIDO-DETECCION | 65104549   |      | •  | •  | •  | •  | •  |       |   |       |
| 0113  | INTERCAMBIADOR PRIMARIO       | 65104246   |      | •  | •  |    |    |    |       |   |       |
|       | INTERCAMBIADOR PRIMARIO       | 65104247   |      |    | •  |    |    |    |       |   |       |
|       | INTERCAMBIADOR PRIMARIO       | 65105030   |      |    |    | •  |    |    |       |   |       |
|       | INTERCAMBIADOR PRIMARIO       | 65105041   |      |    |    |    |    | •  |       |   |       |
| 0114  | CLIP                          | 61307589   |      | •  | •  | •  | •  | •  |       |   |       |
| 0117  | COLECTOR QUEMADOR             | 65104223   | LG   | •  | •  |    |    |    |       |   |       |
|       | COLECTOR QUEMADOR             | 65104225   | LG   |    | •  |    |    |    |       |   |       |
|       | COLECTOR QUEMADOR             | 65105036   | LG   |    |    | •  |    |    |       |   |       |
|       | COLECTOR QUEMADOR             | 65105043   | LG   |    |    |    |    | •  |       |   |       |
|       | COLECTOR QUEMADOR             | 65104226   | NG   |    | •  |    |    |    |       |   |       |
|       | COLECTOR QUEMADOR             | 65104302   | NG   | •  | •  |    |    |    |       |   |       |
|       | COLECTOR QUEMADOR             | 65105026   | NG   |    |    | •  |    |    |       |   |       |
|       | COLECTOR QUEMADOR             | 65105037   | NG   |    |    |    |    | •  |       |   |       |
| 0118  | CRISTAL LUZ TESTIGO           | 65104232   |      | •  | •  | •  |    |    |       |   |       |
| 0119  | O-RING 17,17X1,78             | 65104303   |      | •  | •  | •  | •  | •  |       |   |       |
| 0120  | MUELLE (KIT)                  | 65104298   |      | •  | •  | •  |    |    |       |   |       |
| 0127  | PANEL ANTERIOR CAMARA ESTANCA | 65104236   |      | •  | •  |    |    |    |       |   | 05/07 |
|       | PANEL ANTERIOR CAMARA ESTANCA | 65105038   |      |    |    | •  |    |    |       |   | 05/07 |
|       | PANEL ANTERIOR CAMARA ESTANCA | 65105678   |      | •  | •  |    |    |    |       |   | 06/07 |
|       | PANEL ANTERIOR CAMARA ESTANCA | 65105679   |      |    |    | •  |    |    |       |   | 06/07 |
| 0135  | TERMOSTATO                    | 65104500   |      | •  | •  | •  | •  | •  |       |   |       |
| 0138  | CAMARA DE COMBUSTION          | 65104218   |      |    | •  |    |    |    |       |   |       |
|       | CAMARA DE COMBUSTION          | 65104219   |      | •  | •  |    |    |    |       |   |       |
|       | CAMARA DE COMBUSTION          | 65105028   |      |    |    | •  |    |    |       |   |       |
|       | CAMARA DE COMBUSTION          | 65105040   |      |    |    |    |    | •  |       |   |       |
| 0148  | PANEL CAMARA DE COMBUSTION    | 65104240   |      | •  | •  | •  |    |    |       |   |       |
|       | PANEL CAMARA DE COMBUSTION    | 65105033   |      |    |    | •  | •  |    |       |   |       |
| 0150  | CLIP                          | 61010050   |      | •  | •  | •  | •  | •  |       |   |       |
| 0151  | FIBRA CERAMICA (KIT)          | 65104695   |      | •  | •  | •  |    |    |       |   |       |
|       | FIBRA CERAMICA (KIT)          | 65105029   |      |    |    | •  | •  |    |       |   |       |
| 0190  | TERMOSTATO HUMOS 75-65Å°C     | 999539     |      | •  | •  |    |    |    |       |   |       |

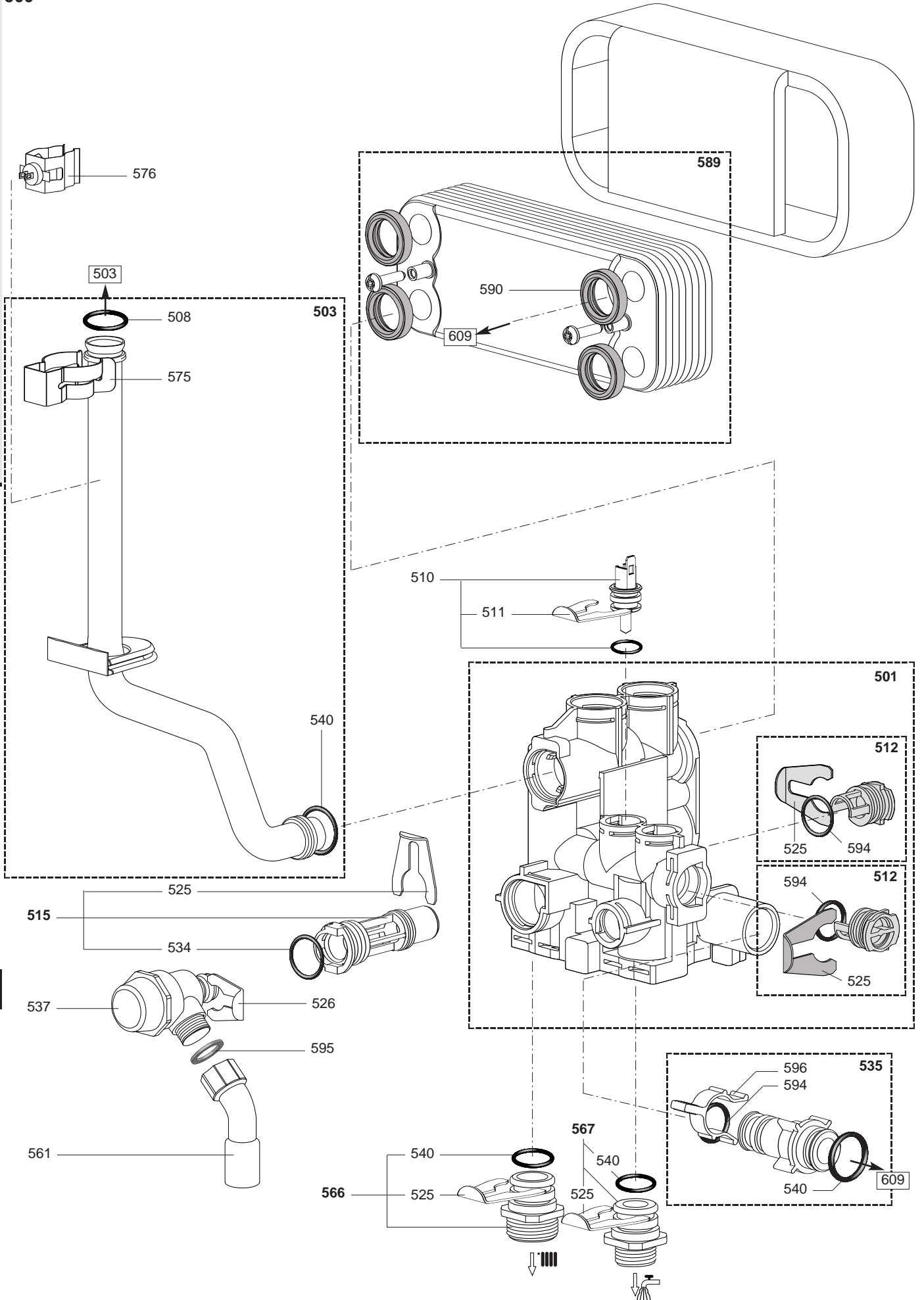
200  
300  
400

GENUS

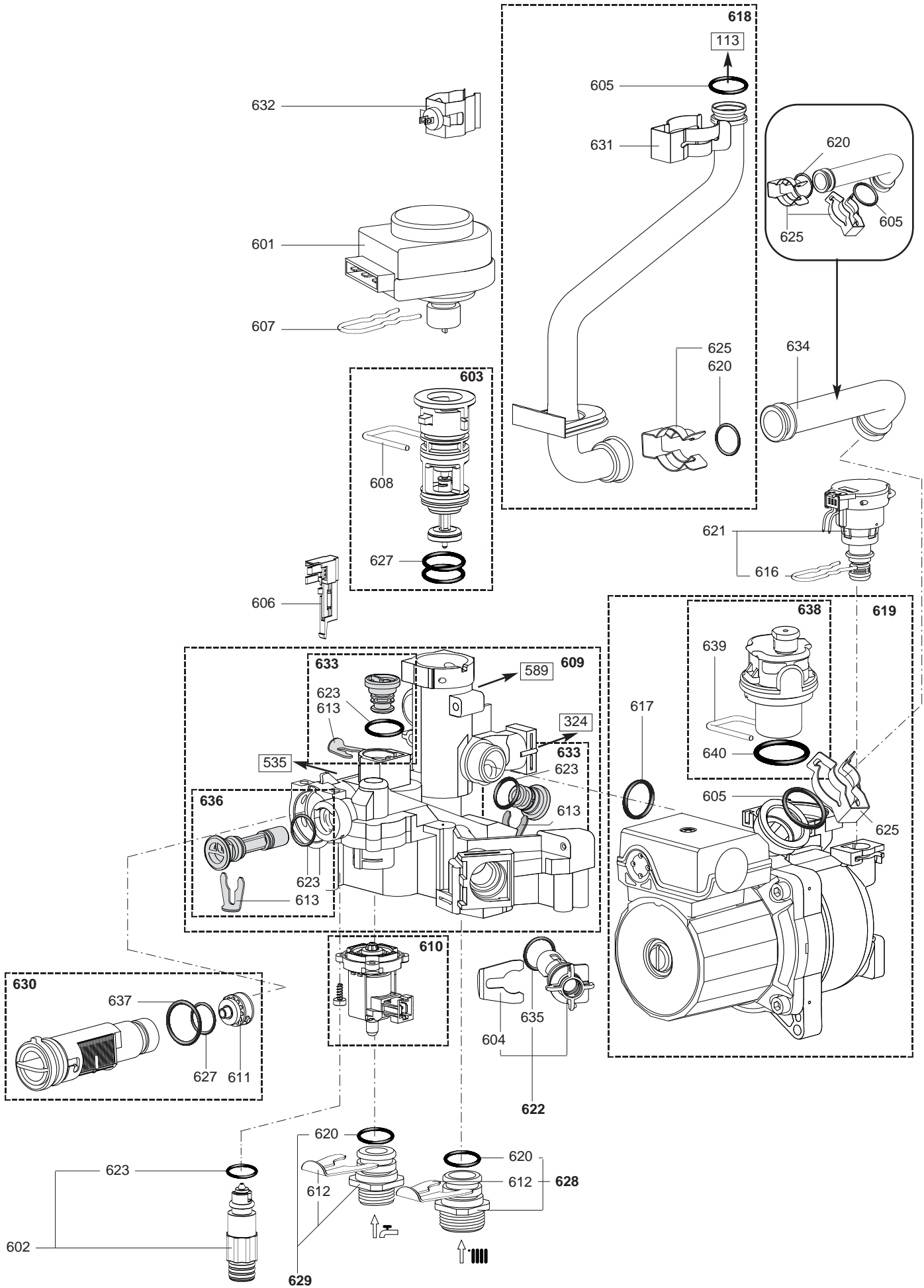
Calderas Murales



| Senal       | Designación                   | Referencia  | Tipo | 24 |    |    | 28 |    |    | 32 |    |       | Fecha |    |
|-------------|-------------------------------|-------------|------|----|----|----|----|----|----|----|----|-------|-------|----|
|             |                               |             |      | FF | CF | FF | CF | FF | CF | FF | CF | FF    | CF    | de |
| <b>0200</b> | <b>EXTRACTOR CONJUNTO</b>     |             |      |    |    |    |    |    |    |    |    |       |       |    |
| 0201        | SOPORTE PRESOSTATO            | 65104378    |      | •  | •  | •  |    |    |    |    |    |       |       |    |
| 0205        | JUNTA ABRAZADERA              | 65104258    |      | •  | •  | •  |    |    |    |    |    |       |       |    |
| 0206        | ELECTROVENTILADOR TIRAJE      | 65104231    |      |    | •  |    |    |    |    |    |    |       |       |    |
|             | ELECTROVENTILADOR TIRAJE      | 65104255    |      | •  |    |    |    |    |    |    |    |       |       |    |
|             | ELECTROVENTILADOR TIRAJE      | 65105042    |      |    |    |    |    | •  |    |    |    |       |       |    |
| 0207        | CABLE TIERRA                  | 65104286    |      | •  | •  | •  |    |    |    |    |    |       |       |    |
| 0208        | JUNTA VENTILADOR              | 65104257    |      | •  | •  | •  |    |    |    |    |    |       |       |    |
| 0210        | TAPON TOMA PRESION PRESOSTATO | 573329      |      | •  | •  | •  |    |    |    |    |    |       |       |    |
| 0212        | PLACA AISLANTE VENTILADOR     | 65104305    |      | •  | •  | •  |    |    |    |    |    |       |       |    |
| 0216        | PRESOSTATO AIRE               | 65104671    |      | •  |    |    |    |    |    |    |    |       |       |    |
|             | PRESOSTATO AIRE               | 65104672    |      |    | •  | •  |    |    |    |    |    |       |       |    |
| 0220        | KIT ANTICONDENSACION          | 65104623    |      | •  | •  | •  |    |    |    |    |    |       |       |    |
| <b>0300</b> | <b>CHASIS-CARROCERIA</b>      |             |      |    |    |    |    |    |    |    |    |       |       |    |
| 0303        | DIAFRAGMA D=46                | 65101023    |      |    |    |    |    | •  |    |    |    |       |       |    |
|             | DIAFRAGMA D=44                | 65105078    |      | •  | •  |    |    |    |    |    |    |       |       |    |
| 0304        | COLECTOR EVACUACION HUMOS     | 65105393    |      | •  | •  | •  |    |    |    |    |    |       |       |    |
| 0305        | COLECTOR RETORNO AIRE         | 65104710    |      | •  | •  | •  |    |    |    |    |    |       |       |    |
| 0306        | TAPON RETORNO AIRE            | 65104249    |      | •  | •  | •  |    |    |    |    |    |       |       |    |
| 0320        | JUNTA                         | 60000317    |      | •  | •  | •  |    |    |    |    |    |       |       |    |
| 0321        | JUNTA 3/8                     | 573521      |      | •  | •  | •  | •  | •  |    |    |    |       |       |    |
| 0322        | TAPON TOMA HUMOS              | 65104295    |      | •  | •  | •  |    |    |    |    |    |       |       |    |
| 0324        | TUBO VASO DE EXPANSION        | 65104253    |      | •  | •  | •  | •  | •  |    |    |    |       |       |    |
| 0325        | JUNTA TORICA D: 8.9-2.7       | 61009834-14 |      | •  | •  | •  | •  | •  |    |    |    |       |       |    |
| 0327        | VASO DE EXPANSION             | 65104261    |      | •  | •  | •  | •  | •  |    |    |    |       |       |    |
| 0337        | SOPORTE GRUPO HIDRAULICO      | 65104311    |      | •  | •  | •  | •  | •  |    |    |    |       |       |    |
| 0342        | PANEL LATERAL IZQDO           | 65104242    |      | •  | •  | •  | •  | •  |    |    |    |       | 05/07 |    |
|             | PANEL LATERAL IZQDO           | 65105676    |      | •  | •  | •  | •  | •  |    |    |    | 06/07 |       |    |
| 0344        | PANEL FRONTAL                 | 65104299    |      | •  | •  | •  |    |    |    |    |    |       |       |    |
|             | PANEL FRONTAL                 | 65105031    |      |    |    |    | •  | •  |    |    |    |       |       |    |
| 0345        | PANEL LATERAL DCHO            | 65104241    |      | •  | •  | •  | •  | •  |    |    |    |       | 05/07 |    |
|             | PANEL LATERAL DCHO            | 65105677    |      | •  | •  | •  | •  | •  |    |    |    | 06/07 |       |    |
| 0362        | IMAN                          | 65104670    |      | •  | •  | •  | •  | •  |    |    |    |       |       |    |
| 0363        | SOPORTE VASO DE EXPANSION     | 65104696    |      | •  | •  | •  | •  | •  |    |    |    |       |       |    |
| <b>0400</b> | <b>PARTE GAS</b>              |             |      |    |    |    |    |    |    |    |    |       |       |    |
| 0401        | VALVULA GAS                   | 65104254    |      | •  | •  | •  | •  | •  |    |    |    |       |       |    |
| 0405        | JUNTA IP44 NAC 504            | 574279      |      | •  | •  | •  | •  | •  |    |    |    |       |       |    |
| 0406        | O-RING 22,22X2,62             | 65104304    |      | •  | •  | •  | •  | •  |    |    |    |       |       |    |
| 0407        | TUBO SILICONA                 | 65104296    |      | •  | •  | •  | •  | •  |    |    |    |       |       |    |
| 0418        | TUBO VALVULA GAS/QUEMADOR     | 65104230    |      | •  | •  | •  | •  | •  |    |    |    |       |       |    |
| 0419        | TUBO GAS                      | 65104251    |      | •  | •  | •  | •  | •  |    |    |    |       |       |    |
| 0436        | O-RING 17,17X1,78             | 65104303    |      | •  | •  | •  | •  | •  |    |    |    |       |       |    |
| 0444        | ENCENDEDOR                    | 65104653    |      | •  | •  | •  | •  | •  |    |    |    |       |       |    |

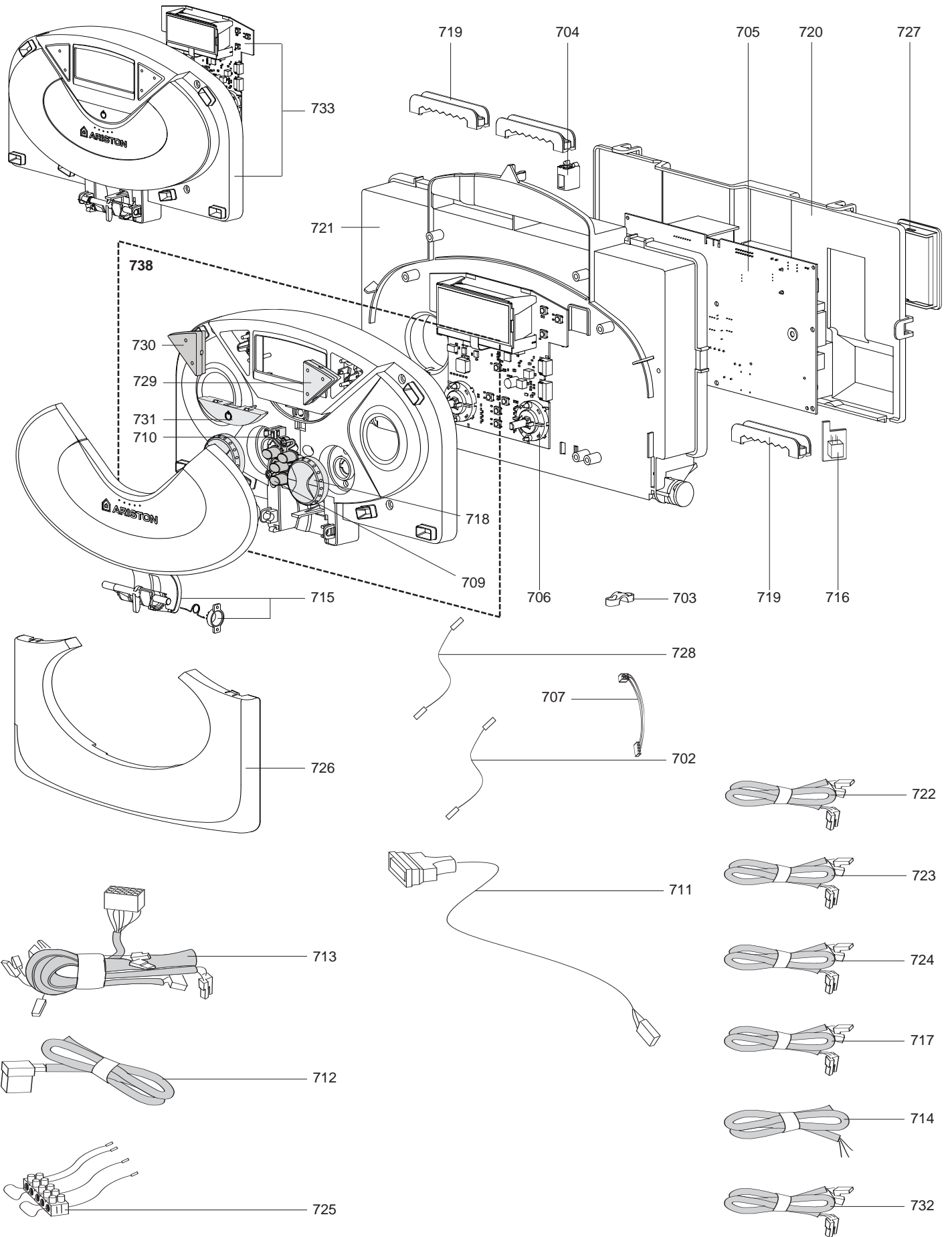


| Senal | Designación                  | Referencia  | Tipo | 24 |    |    | 28 |    |    | 32 |    |    | Fecha |    |
|-------|------------------------------|-------------|------|----|----|----|----|----|----|----|----|----|-------|----|
|       |                              |             |      | FF | CF | FF | CF | FF | CF | FF | CF | FF | CF    | de |
| 0500  | GRUPO ENVÁ?O                 |             |      |    |    |    |    |    |    |    |    |    |       |    |
| 0501  | GRUPO ENVÁ?O                 | 65104312    |      | •  | •  | •  | •  | •  |    |    |    |    |       |    |
| 0503  | TUBO ENVÁ?O                  | 65104252    |      | •  | •  | •  | •  | •  |    |    |    |    |       |    |
|       | TUBO ENVÁ?O                  | 65105035    |      |    |    |    |    |    | •  |    |    |    |       |    |
| 0508  | O-RING 3,53X17,04            | 65104262    |      | •  | •  | •  | •  | •  |    |    |    |    |       |    |
| 0510  | SONDA NTC                    | 65104338    |      | •  | •  | •  | •  | •  |    |    |    |    |       |    |
| 0511  | CLIP                         | 65104339    |      | •  | •  | •  | •  | •  |    |    |    |    |       |    |
| 0512  | TAPON                        | 65104445    |      | •  | •  | •  | •  | •  |    |    |    |    |       |    |
| 0515  | BY-PASS                      | 65104336    |      | •  | •  | •  | •  | •  |    |    |    |    |       |    |
| 0525  | CLIP D=18                    | 65104259    |      | •  | •  | •  | •  | •  |    |    |    |    |       |    |
| 0526  | CLIP D=10                    | 65104260    |      | •  | •  | •  | •  | •  |    |    |    |    |       |    |
| 0534  | O - RING (15.88X2.62)        | 65104337    |      | •  | •  | •  | •  | •  |    |    |    |    |       |    |
| 0535  | TUBO BY-PASS                 | 65104340    |      | •  | •  | •  | •  | •  |    |    |    |    |       |    |
| 0537  | VALVULA DE SEGURIDAD         | 61312668    |      | •  | •  | •  | •  | •  |    |    |    |    |       |    |
| 0540  | JUNTA TORICA D: 17.86-2.62   | 61308091    |      | •  | •  | •  | •  | •  |    |    |    |    |       |    |
| 0561  | TUBO VALVULA DE SEGURIDAD    | 65104447    |      | •  | •  | •  | •  | •  |    |    |    |    |       |    |
| 0566  | RACOR 3/4                    | 65104326    |      | •  | •  | •  | •  | •  |    |    |    |    |       |    |
| 0567  | RACOR 1/2                    | 65104327    |      | •  | •  | •  | •  | •  |    |    |    |    |       |    |
| 0575  | CLIP                         | 61307589    |      | •  | •  | •  | •  | •  |    |    |    |    |       |    |
| 0576  | SONDA NTC T335D + CLIPS 18   | 990686      |      | •  | •  | •  | •  | •  |    |    |    |    |       |    |
| 0589  | INTERCAMBIADOR SANITARIO     | 65104333    |      | •  | •  | •  | •  | •  |    |    |    |    |       |    |
| 0590  | JUNTA INTERCAMBIADOR         | 65104334    |      | •  | •  | •  | •  | •  |    |    |    |    |       |    |
| 0594  | O - RING (15.54X2.62)        | 65104325    |      | •  | •  | •  | •  | •  |    |    |    |    |       |    |
| 0595  | JUNTA PLANA D: 13.9-10.4-1.5 | 60061853-02 |      | •  | •  | •  | •  | •  |    |    |    |    |       |    |
| 0596  | CLIP                         | 65104700    |      | •  | •  | •  | •  | •  |    |    |    |    |       |    |

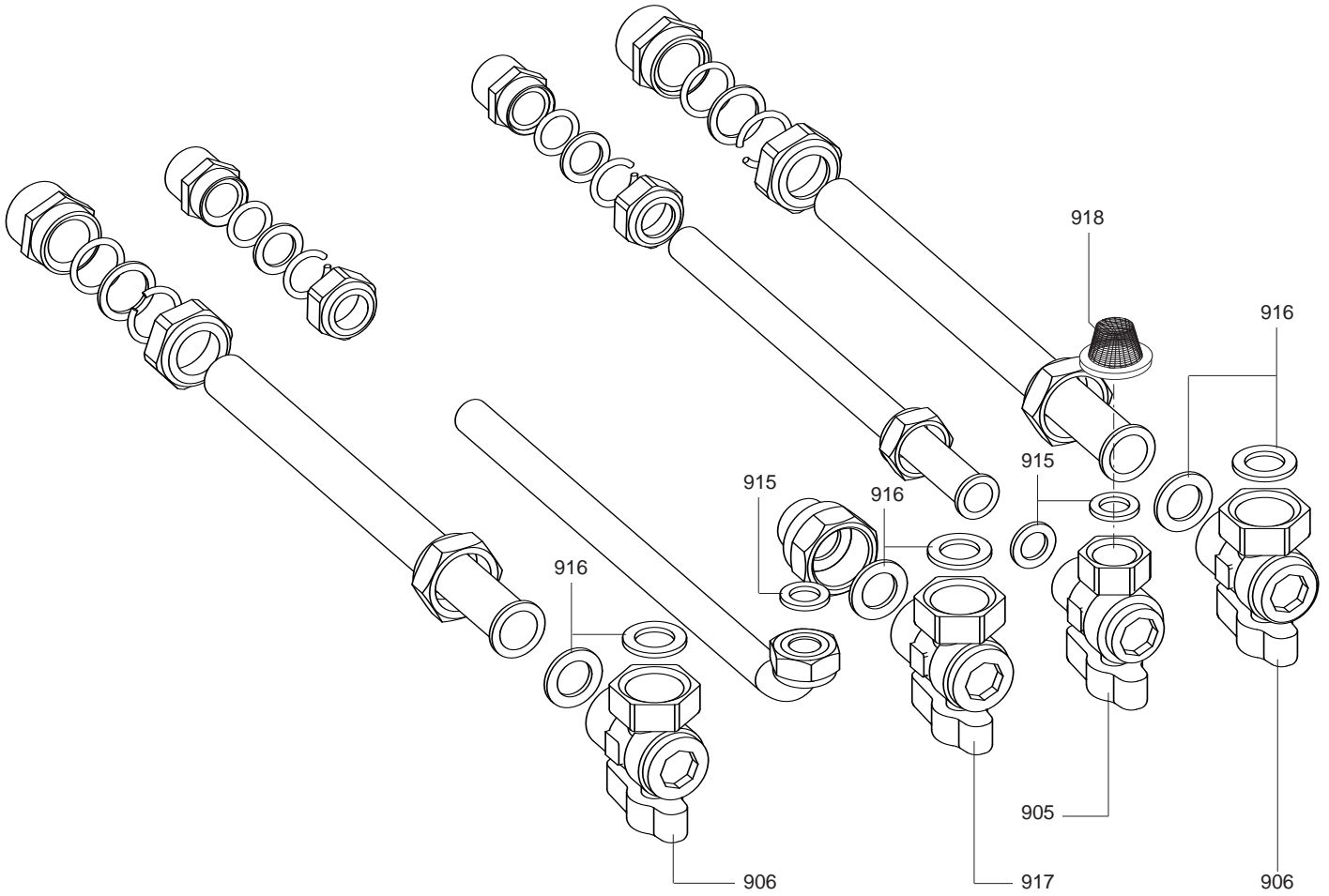




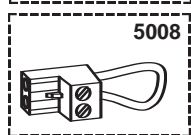
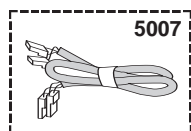
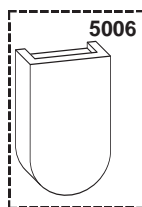
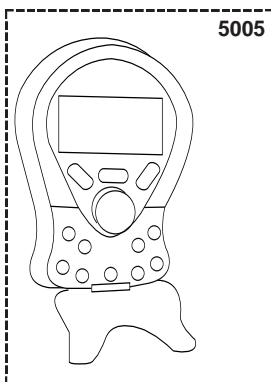
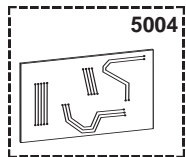
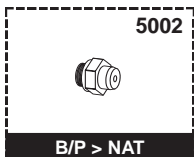
| Senal | Designación                         | Referencia | Tipo       |    |    |    |    |    | Fecha |   |  |
|-------|-------------------------------------|------------|------------|----|----|----|----|----|-------|---|--|
|       |                                     |            |            | FF | CF | FF | CF | FF | de    | a |  |
| 0600  | <b>GRUPO RETORNO</b>                |            |            |    |    |    |    |    |       |   |  |
| 0601  | MOTOR DE VALVOLA DE TRES VIAS       | 61302483   |            | •  | •  | •  | •  | •  |       |   |  |
| 0602  | GRIFO DE VACIADO INSTALACION        | 65104328   |            | •  | •  | •  | •  | •  |       |   |  |
| 0603  | GRUPO 3 VÃ?AS (KIT)                 | 65104314   |            | •  | •  | •  | •  | •  |       |   |  |
| 0604  | CLIP                                | 65104331   |            | •  | •  | •  | •  | •  |       |   |  |
| 0605  | O-RING 3,53X17,04                   | 65104262   |            | •  | •  | •  | •  | •  |       |   |  |
| 0606  | SENSOR (REED)                       | 65104323   |            | •  | •  | •  | •  | •  |       |   |  |
| 0607  | CLIP                                | 65104332   |            | •  | •  | •  | •  | •  |       |   |  |
| 0608  | CLIP                                | 65104316   |            | •  | •  | •  | •  | •  |       |   |  |
| 0609  | GRUPO RETORNO                       | 65105322   |            | •  | •  | •  | •  | •  |       |   |  |
| 0610  | GRIFO DE LLENADO AUTOMATICO         | 65104669   |            | •  | •  | •  | •  | •  |       |   |  |
| 0611  | REDUCTOR (KIT)                      | 65104318   | 8-10-12 LT | •  | •  | •  | •  | •  |       |   |  |
| 0612  | CLIP D=18                           | 65104259   |            | •  | •  | •  | •  | •  |       |   |  |
| 0613  | CLIP D=10                           | 65104260   |            | •  | •  | •  | •  | •  |       |   |  |
| 0616  | CLIP                                | 65104322   |            | •  | •  | •  | •  | •  |       |   |  |
| 0617  | O - RING (21.89X2.62)               | 65104320   |            | •  | •  | •  | •  | •  |       |   |  |
| 0618  | TUBO RETORNO INSTALACION            | 65104265   |            | •  | •  | •  | •  | •  |       |   |  |
| 0619  | BOMBA CIRCULADORA 6M 2V             | 60000591   |            |    |    |    |    | •  |       |   |  |
|       | BOMBA CIRCULADORA                   | 65104319   |            | •  | •  | •  | •  | •  |       |   |  |
| 0620  | JUNTA TORICA D: 17.86-2.62          | 61308091   |            | •  | •  | •  | •  | •  |       |   |  |
| 0621  | PRESOSTATO DE MÃ?NIMA               | 65104321   |            | •  | •  | •  | •  | •  |       |   |  |
| 0622  | FILTRO DEL AGUA                     | 65104330   |            | •  | •  | •  | •  | •  |       |   |  |
| 0623  | O - RING (9.19X2.62)                | 65104313   |            | •  | •  | •  | •  | •  |       |   |  |
| 0625  | CLIP                                | 60000309   |            | •  | •  | •  | •  | •  |       |   |  |
| 0627  | O - RING (23.47X2.62)               | 65104315   |            | •  | •  | •  | •  | •  |       |   |  |
| 0628  | RACOR 3/4                           | 65104326   |            | •  | •  | •  | •  | •  |       |   |  |
| 0629  | RACOR 1/2                           | 65104327   |            | •  | •  | •  | •  | •  |       |   |  |
| 0630  | KIT OBTURADOR CALEFACCION/SANITARIO | 65104317   |            | •  | •  | •  | •  | •  |       |   |  |
| 0631  | CLIP                                | 61307589   |            | •  | •  | •  | •  | •  |       |   |  |
| 0632  | SONDA NTC T335D + CLIPS 18          | 990686     |            | •  | •  | •  | •  | •  |       |   |  |
| 0633  | TAPON                               | 65104377   |            | •  | •  | •  | •  | •  |       |   |  |
| 0634  | RACOR (TUBO RETORNO - BOMBA)        | 65104266   |            | •  | •  | •  | •  | •  |       |   |  |
|       | RACOR (TUBO RETORNO - BOMBA)        | 65105034   |            |    |    |    |    | •  |       |   |  |
| 0635  | O - RING (15.54X2.62)               | 65104325   |            | •  | •  | •  | •  | •  |       |   |  |
| 0636  | CARTUCHO VALVULA DE CHEQUE          | 65105323   |            | •  | •  | •  | •  | •  |       |   |  |
| 0637  | O-RING 17,17X1,78                   | 65104303   |            | •  | •  | •  | •  | •  |       |   |  |
| 0638  | PURGADOR DE AIRE COMPLETA + OR      | 65104703   |            | •  | •  | •  | •  | •  |       |   |  |
| 0639  | CLIP FIJACION RAPIDA                | 65104704   |            | •  | •  | •  | •  | •  |       |   |  |
| 0640  | O-RING                              | 65104705   |            | •  | •  | •  | •  | •  |       |   |  |



| Senal       | Designación                             | Referencia | Tipo | 24 |    | 28 |    | 32 |    | Fecha |   |
|-------------|---|------------|------|----|----|----|----|----|----|-------|---|
|             |   |            |      | FF | CF | FF | CF | FF | CF | de    | a |
| <b>0700</b> | <b>CAJA ELECTRICA</b>                   |            |      |    |    |    |    |    |    |       |   |
| 0702        | CABLE TIERRA                            | 65104286   |      | ●  | ●  | ●  | ●  | ●  |    |       |   |
| 0703        | SUJETACABLE                             | 571562     |      | ●  | ●  | ●  | ●  | ●  |    |       |   |
| 0704        | PUSH                                    | 65104228   |      | ●  | ●  | ●  | ●  | ●  |    |       |   |
| 0705        | CIRCUITO PRINCIPAL                      | 65105817   |      | ●  | ●  | ●  | ●  | ●  |    |       |   |
| 0706        | CIRCUITO DISPLAY                        | 65105149   |      | ●  | ●  | ●  | ●  | ●  |    |       |   |
| 0707        | CABLEADO DISPLAY                        | 65104297   |      | ●  | ●  | ●  | ●  | ●  |    |       |   |
| 0709        | GRUPO BOTON MENU                        | 65104264   |      | ●  | ●  | ●  | ●  | ●  |    |       |   |
| 0710        | PULSADOR PARA TAPA                      | 65100676   |      | ●  | ●  | ●  | ●  | ●  |    |       |   |
| 0711        | CABLEADO VALVULA 3 VÁ?AS                | 65104523   |      | ●  | ●  | ●  | ●  | ●  |    |       |   |
| 0712        | CABLE BOMBA                             | 65104520   |      | ●  | ●  | ●  | ●  | ●  |    |       |   |
| 0713        | CABLEADO SENSOR AGUA                    | 65104517   |      | ●  | ●  | ●  | ●  | ●  |    |       |   |
| 0714        | CABLEADO ELECTRICO                      | 61308031   |      | ●  | ●  | ●  | ●  | ●  |    |       |   |
| 0715        | TAPA FRONTAL                            | 65104306   |      | ●  | ●  | ●  | ●  | ●  |    |       |   |
| 0716        | MODULOS EEPROM (KIT)                    | 65105148   |      | ●  | ●  | ●  | ●  | ●  |    |       |   |
| 0717        | CABLEADO CAMARA DE COMBUSTION           | 60000814   |      | ●  |    | ●  |    | ●  |    |       |   |
|             | CABLEADO SONDAS CAMARA ABIERTA          | 65104708   |      |    | ●  |    | ●  |    |    |       |   |
| 0718        | MANDO DE REGULACION                     | 65104235   |      | ●  | ●  | ●  | ●  | ●  |    |       |   |
| 0719        | SUJETA-CABLE                            | 65103377   |      | ●  | ●  | ●  | ●  | ●  |    |       |   |
| 0720        | TAPA POSTERIOR PANEL DE MANDOS          | 65104293   |      | ●  | ●  | ●  | ●  | ●  |    |       |   |
| 0721        | FRONTAL                                 | 65104300   |      | ●  | ●  | ●  | ●  | ●  |    |       |   |
| 0722        | CABLEADO VENTILADOR MODULANTE           | 65104709   |      | ●  |    | ●  |    | ●  |    |       |   |
| 0723        | CABLEADO VENTILADOR                     | 65104519   |      | ●  |    | ●  |    | ●  |    |       |   |
| 0724        | CABLEADO                                | 60000813   |      | ●  | ●  | ●  | ●  | ●  |    |       |   |
| 0725        | CABLEADO INSTALLER ZONE                 | 65104524   |      | ●  | ●  | ●  | ●  | ●  |    |       |   |
| 0726        | CARENADO INFERIOR                       | 65104379   |      | ●  | ●  | ●  |    |    |    |       |   |
|             | CARENADO INFERIOR                       | 65105032   |      |    |    |    | ●  | ●  |    |       |   |
| 0727        | TAPA INSPECCION                         | 65104294   |      | ●  | ●  | ●  | ●  | ●  |    |       |   |
| 0728        | CABLEADO ELECTRODO FIAMMA-LADO CIRCUITO | 65104518   |      | ●  | ●  | ●  | ●  | ●  |    |       |   |
| 0729        | INTERRUPTOR DCHO                        | 65104268   |      | ●  | ●  | ●  | ●  | ●  |    |       |   |
| 0730        | INTERRUPTOR IZQDO                       | 65104269   |      | ●  | ●  | ●  | ●  | ●  |    |       |   |
| 0731        | INTERRUPTOR ON/OFF                      | 65104267   |      | ●  | ●  | ●  | ●  | ●  |    |       |   |
| 0732        | CABLEADO GRIFO DE LLENADO AUTO.         | 65104525   |      | ●  | ●  | ●  | ●  | ●  |    |       |   |
| 0738        | FRONTAL COMPLETO                        | 65105150   |      | ●  | ●  | ●  | ●  | ●  |    |       |   |



5000





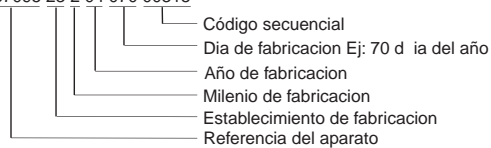
## ABREVIACIONES

|                    |   |
|--------------------|---|
| <b>AC</b> .....    | : Agua caliente.                            |
| <b>AF</b> .....    | : Agua fria.                                |
| <b>C</b> .....     | : Resistencia ceramica (Caldeo normal).     |
| <b>Ca</b> .....    | : Resistencia ceramica (Caldeo acelerado).  |
| <b>TP</b> .....    | : Resistencia inmersa.                      |
| <b>1F</b> .....    | : Con griferia.                             |
| <b>2F</b> .....    | : Sin griferia.                             |
| <b>3F</b> .....    | : Con griferia y una salida complementaria. |
| <b>AMI</b> .....   | : Con mezclador integrado.                  |
| <b>SMI</b> .....   | : Sin mezclador integrado.                  |
| <b>PUISS</b> ..... | : Potencia del aparato.                     |
| <b>PN</b> .....    | : Aparato a presion normal.                 |
| <b>BP</b> .....    | : Aparato a baja presion.                   |
| <b>PV</b> .....    | : Aparato a potencia variable.              |
| <b>PF</b> .....    | : Aparato a potencia fija.                  |

## PLACA DE IDENTIFICACION

### NUMERO DI SERIE

Ej : 0537095 23 2 04 070 00315



Las informaciones anotadas sobre las tarifas y documentaciones comerciales o tecnicas son dados en concepto de indicacion y validas a un momento dado.El CONSTRUCTOR se reserva el derecho de traer todas modificaciones de presentacion, de forma, de dimension, de concepcion o materia a sus productos.